

**PAHA
DAHA
SAHA**

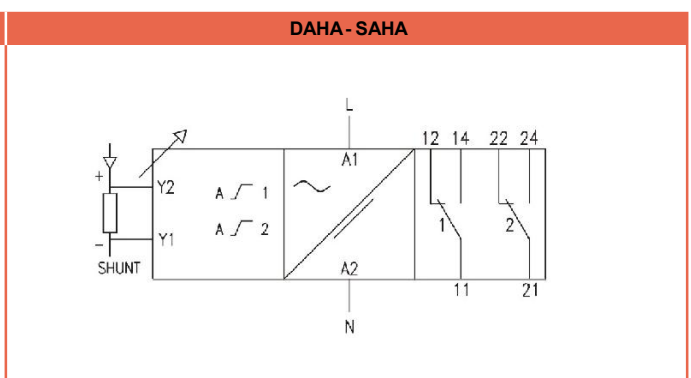
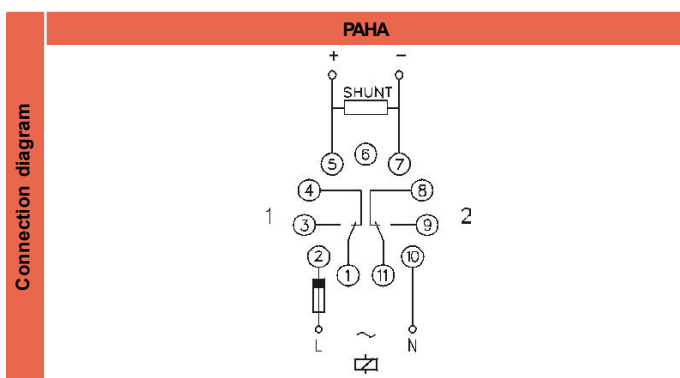
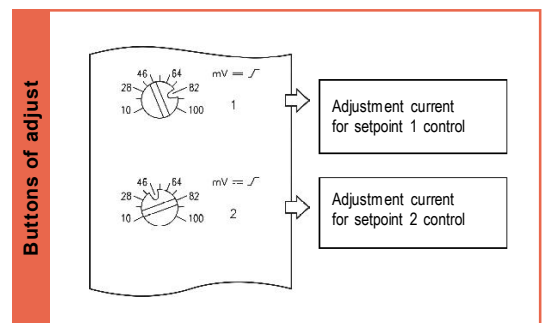
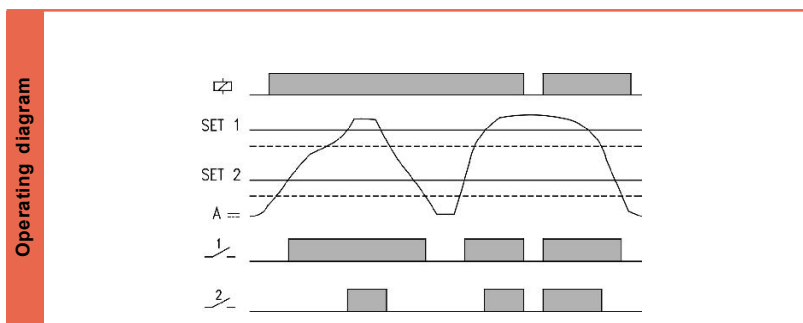


**CURRENT RELAY
WITH TWO SET POINTS**

| | |
|---------------------|---|
| Difference | Two independent set points. Measurement through external shunt. |
| Measurement | DC single phase |
| Operating principle | When the supply voltage is connected, if the measure current is less than the ones pre-set in each control, the relays remain released. When the measure current exceeds the pre-set values, each relay operates according its control, and remain so until the measure current goes below 10% of each pre-set value. When the supply voltage is connected, if the measure current exceeds the pre-set values, the relays operate instantaneously. |
| Leds indication | Power on: Green Relays on: Red |
| Relays | It is provided with two relays, each one related two each set point. |
| Hysteresis | 10%. fixed |
| Timing | No timing |

| Reference | HOUSING | | FUNCTION | OUTPUT | VOLTAGE | RANGES | | |
|-------------|--|-----|---|------------|---------|----------------|--|--------------------------------------|
| | | | | | | RANGE | I max. | |
| P D S | Plug inn DIN rail Flush mounting | A H | Current relay with two independent set points | A 1+1 NANC | 024 | 24 VAC | V05 5..50 mV V06 6..60 mV V10 10..100 mV V15 15..150 mV | 550 mV 560 mV 600 mV 650 mV |
| | | | | | 110 | 110..125 VAC | | |
| | | | | | 230 | 220..240 VAC | | |
| | | | | | 400 | 380..415 VAC | | |
| | | | | | 440 | 440 VAC | | |
| | | | | | 901 | 15..70 VAC/DC | | |
| | | | | | 902 | 60..240 VAC/DC | | |

To compose the reference, select one option of each column. Example: **PAHA 024 1MA**



| | | PAHA | DAHA | SAHA | |
|-----------------------|------------------------------|----------------------|-----------------------------------|-----------------------------------|-----------------------------------|
| Output relays | | | | | |
| | Resistive load | AC | 10 A / 250 V | 10 A / 250 V | 10 A / 250 V |
| | | DC | 0,4 A / 200 V | 0,4 A / 200 V | 0,4 A / 200 V |
| | Inductive load | AC | 10 A / 24 V | 10 A / 24 V | 10 A / 24 V |
| | | DC | 5 A / 250 V | 5 A / 250 V | 5 A / 250 V |
| | Mechanical life | | > 30 x 10 ⁶ operations | > 30 x 10 ⁶ operations | > 30 x 10 ⁶ operations |
| | Max. switching rate, mech. | | 72.000 operations / hour | 72.000 operations / hour | 72.000 operations / hour |
| | Electrical life at full load | | 360 operations / hour | 360 operations / hour | 360 operations / hour |
| | Contact material | | AgNi 90/10 | AgNi 90/10 | AgNi 90/10 |
| | Maximum voltage | | 440 VAC | 440 VAC | 440 VAC |
| | Operating voltage | | 250 VAC | 250 VAC | 250 VAC |
| | Volt. between changeovers | | 2500 VAC | 2500 VAC | 2500 VAC |
| | Voltage between contacts | | 1000 VAC | 1000 VAC | 1000 VAC |
| Voltage coil/contact | | 5000 VAC | 5000 VAC | 5000 VAC | |
| Distance coil/contact | | 10 mm | 10 mm | 10 mm | |
| Isolation resistance | | > 10 ⁴ MΩ | > 10 ⁴ MΩ | > 10 ⁴ MΩ | |

| Supply | CA | | CACC | |
|--------------------|------------|-------------|------------|-------------|
| | PAHA | DAHA - SAHA | PAHA | DAHA - SAHA |
| | | | | |
| Galvanic isolation | Yes | | No | |
| Frequency | 50 / 60 Hz | | - | |
| Operating margins | ±10% -15% | | ±10% | |
| Positive | - | | Terminal 2 | |
| Protected polarity | - | | Si | |

| Constructive and environmental data | PAHA | DAHA | SAHA | |
|-------------------------------------|---|----------------------|----------------------|----------------------|
| | Voltage phase-neutral | 300 V | 300 V | 300 V |
| | Overvoltage category | III | III | III |
| | Rated impulse voltage | 4 kV | 4 kV | 4 kV |
| | Pollution degree | 2 | 3 | 3 |
| | Protection | IP 20 B | IP 20 | IP 20 |
| | Approximate weight | 250 g | 280 g | 280 g |
| | Storage temperature | -50°C +85°C | -50°C +85°C | -50°C +85°C |
| | Operating temperature | -20°C +50°C | -20°C +50°C | -20°C +50°C |
| | Humidity | 30~85% HR | 30~85% HR | 30~85% HR |
| | Housing | Cyclopy - Light grey | Cyclopy - Light grey | Cyclopy - Light grey |
| | Socket | Lexan - Light grey | - | - |
| | Leds cover | Lexan - Transparent | Lexan - Transparent | Lexan - Transparent |
| Button, terminal block, clip | Technyl - Dark blue | Technyl - Dark blue | Technyl - Dark blue | |
| Pins of the socket | Nickel-plated brass | - | - | |
| Pins of the terminal block | - | Brass | Brass | |
| Approvals | Designed and manufactured under EEC standards. Electromagnetic compatibility , directives 89/366/EEC and 92/31/EEC. Electric safety, directive 73/23/EEC. Plastics: UL 91 V0 | | | |

| Dimensions | PAHA | DAHA | SAHA |
|------------|------|------|------|
| | | | |

Rev. 00/00 - 13/07/05 - DISIBEINT reserves the right to modify the specifications stated in this document without previous notice