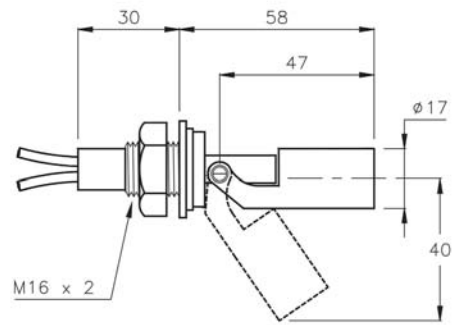


## IMN 50 NY H / IMN 50 PP H

### LEVEL MAGNETIC SWITCH



General	Operating principle	The IMN magnetic sensors are based level in the action of a reed switch located inside the tube, which are activated by a magnet housed inside the float and moves due to the thrust of the liquid.
	Application	<ul style="list-style-type: none"> <li>For detection of a only point liquids level.</li> <li>Used in maneuvers for filling, emptying, overflow alarm, etc.</li> </ul>

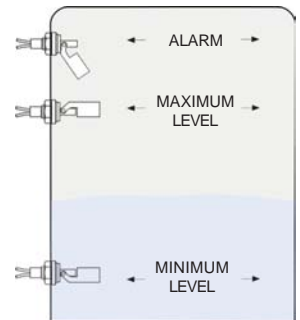
Housing	Electrical connection	By two-wires hose.
	Lenght	1 m. Others lenght on request.
	Cable material (Temperature)	PVC (70 °C)

Body	Guide tube	Nylon 6.6. Ø9 mm
	Temperature	-30..+80 °C (IMN 50 NY H) / -30..+60 °C (IMN 50 PP H)
	Mounting position	Horizontal
	Protection	IP65. Encapsulated with epoxy resin.

Process connection		<b>IMN 50 NY H</b>	<b>IMN 50 PP H</b>	
	Material	Nylon 6.6 (blue)	PP (grey)	
	E (mm)		13	
	LR (mm)		20	
	LCP (mm)		3	

Floats		<b>IMN 50 NY H</b>	<b>IMN 50 PP H</b>
	Material	Nylon 6.6 (blue or red)	PP (grey)
	Dimension (mm)	Ø 21x30	
	Pressure (kg/cm <sup>2</sup> )	3	
	Density (g/cm <sup>3</sup> )	e > 0,9	e > 0,7

#### Installation examples



Contacts	Class	120 WVA / 250 VAC/DC-3A	
	Type	NO or NC according to sensor position.	
	Situation		

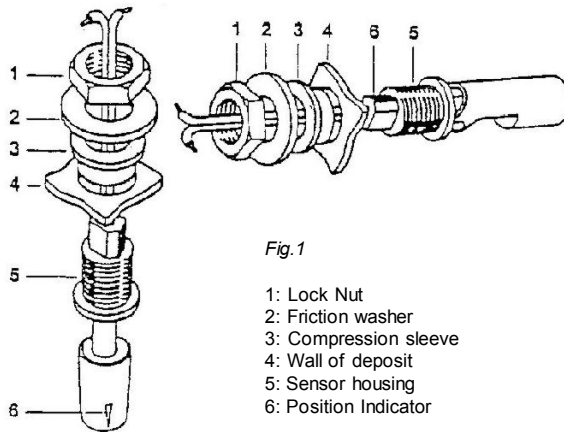
Ordering code IMN 50 NY H / IMN 50 PP H

## EXTERNAL Assembly

- Drill a hole of 23 mm in diameter in the vessel wall.
- Remove burrs from the hole and ensure that both sides are smooth to prevent damage to the washer or gasket seal.
- Carefully remove the wires attaching the sensor.

To introduce the compression sleeve, friction washer and nut assembly in the sensor housing (fig. 1) and turn the nut until the sleeve begins to deform.

- With the correctly positioned orientation indicator, slide the assembly of the sensor in the reservoir hole until the compression sleeve reaches the tank wall.
- Maintaining in position the sensor assembly at its rear end with careful tightening the locking nut to a torque max. of 2.67 Nm.
- After checking the sleeve and the position sensor, one can proceed to connect to the system control circuit.



Maximum wall thickness: 10 mm.

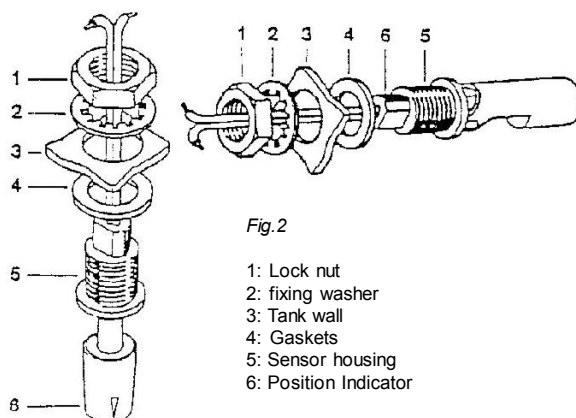
### *Inversion of the switching action:*

· Horizontal models: Rotate 180° observing position sensor position indicator

· Vertical modelos: Compress the arms of the cap and remove the float, reverse his position and reassemble.

## INTERNAL Assembly

- Drill a hole of 16.5 mm in diameter in the vessel wall.
- Remove burrs from the hole and ensure that both sides are smooth to prevent damage to the washer or gasket seal.
- Carefully remove the binding of the sensor wires and replace the washer or gasket sealing the housing of the sensor.
- Enter from inside the wires through the hole in the tank taking care not to damage the washer or gasket, position properly against the inner wall of the reservoir and the ring of all the sensor housing (Fig. 2).
- Set the exterior of the tank lock washer and nut fastening through the wires and positioning the assembly of the sensor housing in the correct position for being tightened.
- After ensuring that the position signal and that the washer or gasket are positioned correctly, tighten the lock nut to a maximum torque of 4 Nm.
- After checking the board and position of the sensor, you can proceed to connect the system control circuit.



Maximum wall thickness: 4 mm.

### *Inversion of the switching action:*

· Horizontal models: Rotate 180° observing position sensor position indicator.

· Vertical modelos: Compress the arms of the cap and remove the float, reverse his position and reassemble.