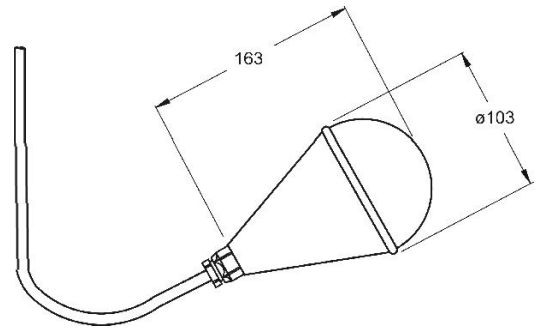
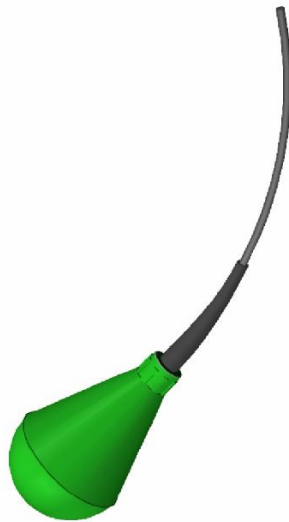


INMR ECO

FLOAT LEVEL SWITCH



Function	Control of one maximum or one minimum level in liquids.
Application	Ecological, lead and mercury are not used in its construction. Suitable for level controlling in dirty, waste and calcareous waters.
Process connection	By cable
Float material	Polypropylene (PP)
Dimensions	Ø103 x 163 mm
Electrical connection	PVC cable 3 x 0,75 mm ²
Cable length	6 m (Optional 10-15-20-30 m)
Contact type	Micro-switch SPDT
Maximum voltage	250 V
Maximum current	10 A / 250 V
Colour of body	Green
Operating density	0,90..1,10 Kg/cm ³
Pressure	6 Kg/cm ²
Operating temperature	+60 °C
Weight without cable	765 gr
Protection	IP68 (40 m)

Installation examples

