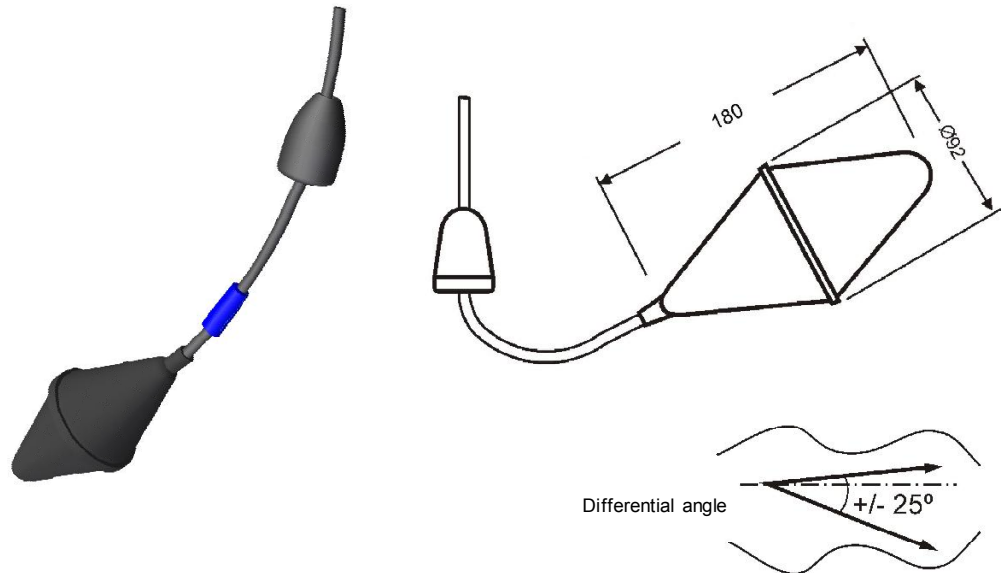


INMR Hyp Ex
**LIQUIDS LEVEL
CONTROL
BY FLOAT**


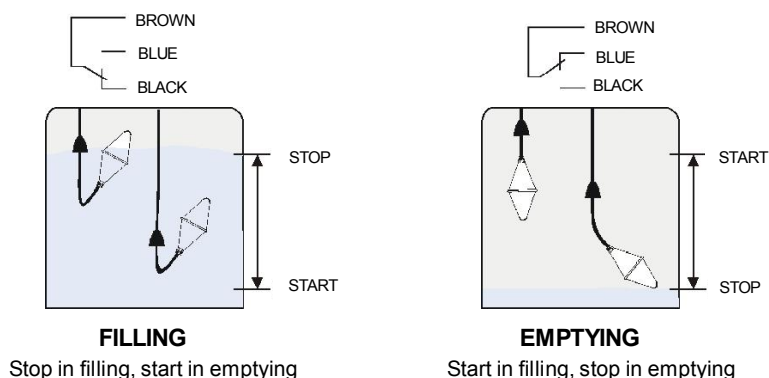
Function	Control of maximum and/or minimum liquids level when filling or emptying. Omnidirectional.
Character differential	To be used with aggressive or chemical products like certain acids, alcohols, solvents, alkaloids and hydrocarbons, etc. Designed and certified for use in hazardous areas classified 0, 1, 2 (gas) and 20, 21, 22 (dust)
Process connection	By cable
Differential angle	$\pm 25^\circ$
Body material	PP. Hypalon HR HY covering
Body weight	300 gr. (Without cable)
Operating density	0,8..1,10 Kg/dm ³
Maximum pressure	4 kg/cm ² (55 m water heigh)
Temperature (T6-Ta)	-20..+70 °C
Dimensions	Ø92 x 180 mm
Adjustment	By counterweight placed along the cable (maximum 1m)
Counterweight material	Resinne loaded
Counterweight weight	250 gr. (Without cable)
Electrical connection	Cable HR HY Hypalón H07RN8-F 3 x 1 mm ²
Cable weight	110 gr/m
Cable lenght	5 m (Optional 10 m)
Type of contact	Micro-switch SPDT
Maximum voltage	24VAC/DC
Maximum current	24 VAC or VDC 10mA / 12 VAC or VDC 100mA
Protection to 20°C	IP6X
Certificates	CE 0081 II I G Ex ia IIC T6 IP6X T° 70°C - LCIE 00 ATEX 6003 X

 Composition
to the reference

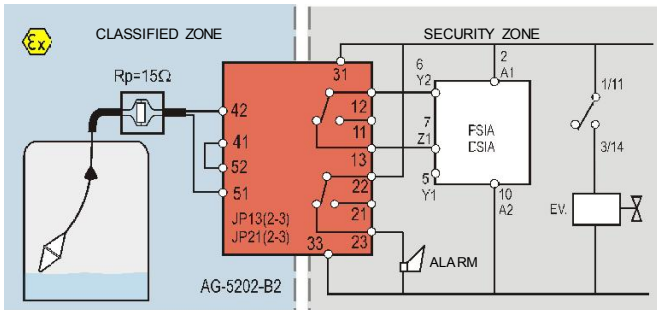
Model	Cable
INMR Hyp Ex	05 5 m
	10 10 m

 To compose a reference, select an option from each of the columns.
Example: **INMR Hyp Ex 05**

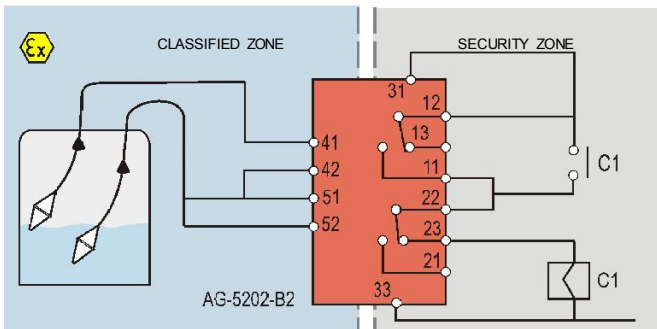
Installation examples



Application example

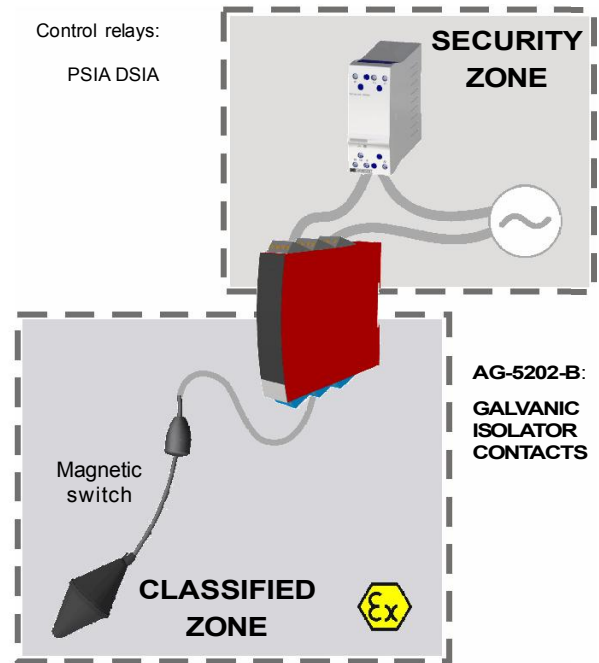


Security level of cable breakage



Classified area sensor, electrical isolation and start-stop maneuver through contactor

Arrangement for intrinsic safety "ia"



Safety instructions

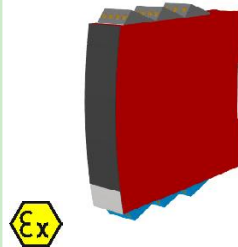
For safe installation INMR sensor in hazardous areas must be taken into account:

- The sensor should be installed only by qualified personnel familiar with national and international laws and the rules and guidelines for implementing this type of environments.

For more information go to EN 60 079-14 for electrical installations in hazardous areas.

Accessories

AG-5202-B



Function	Galvanic insulated for contacts. ATEX classifying.
Mounting dimensions (mm)	109 x 23,5 x 130 (rail DIN)
Ex approval/ I.S.	Ex II (1) G D [EEx ia] IIC
Applicable to zones	0, 1, 2, 20, 21 or 22
Input	2 Contacts
Output	AG-5202-B2: 1 SPDT, 2A/250VAC AG-5202-B4: 2 SPST NO, 2A/250VAC
Supply voltage	24..230 VAC ±10% 50/60 Hz 24..250 VDC ±20%
More information	Page 79, General catalogue 2008. www.disibeint.com

PSIA

DSIA



Control of turbulence in fluids with detection. Delay level detection. Differential Control of maximum and minimum levels by timing.

Page 62, Genera Cataloguel 2008
www.disibeint.com