

# PS-3

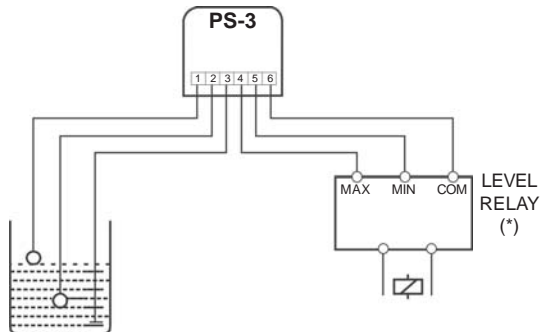


## OVERVOLTAGE PROTECTOR FOR THE PROBES LINE

Function	The protection unit PS-3 intercalated in the probes line, protects the level relays against the atmospheric overvoltages or other inductive freaks which could arrive through the electrodes. When it happens, the varistors inside the PS-3 act and burn the protection fuses, placed outside.
Material	Noryl
Housing colour	Light grey.
Conection	Six terminals by screw.
Attachment	By flange.
Shoot point	100 V.
Fuses	De 0,1 Amp., maximum 0,5 Amp.
Accessories	Four spare fuses are provided with the unit.

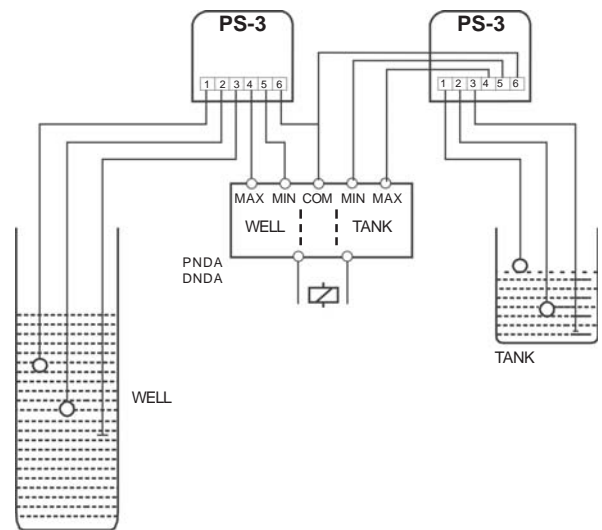
Connection diagrams

Protection of a sole level relay



(\*) Suitable models:  
 PNSA, PNFA, PNCA/B, PNEA, PNJA/B, PNGA, PNHA  
 DNSA, DNFA, DNCA/B, DNEA, DNJA/B, DNGA, DNHA  
 SNSA, SNDA, SNNA  
 MNZA

Protection of a well-tank relay



Dimensions

