

PTCA / PTCB DTCA / DTCB

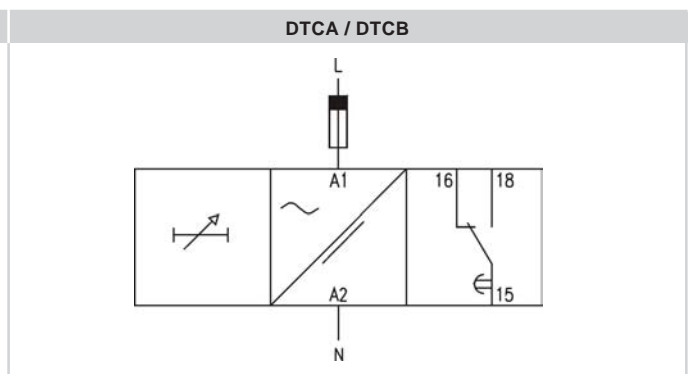
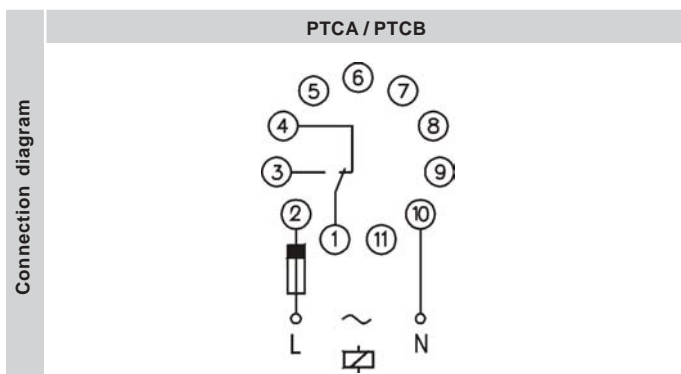
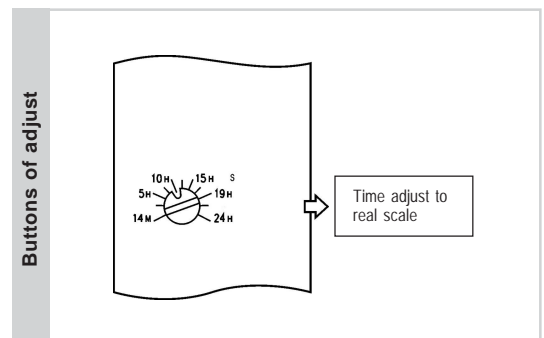
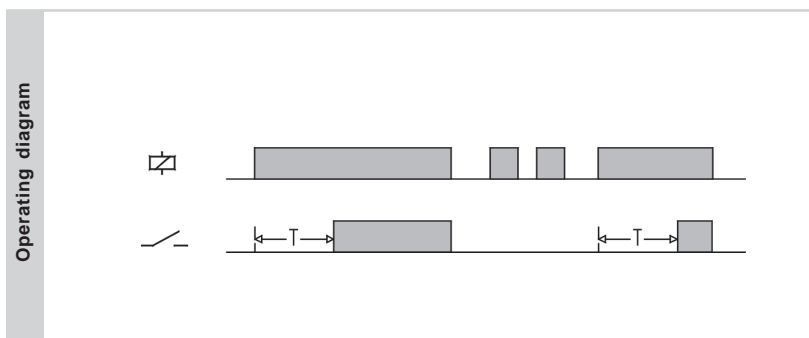


DELAY ON OPERATE TIMER

Function	Delay on operate.
Difference	Monofunction - Monorange - Monovoltage
Operating principle	When the supply voltage is conected, the relay remains released and the time circuit starts up. After the pre-set time, the relay is operated. It can remain in this condition for an indefinite period of time.
Leds indication	Power on: Green Relay on: Red
Repeating precision	±2%
Precision	±2%
Reset	By disconnecting the supply for longer than 50 ms.

Reference	HOUSING		FUNCTION		OUTPUT		SUPPLY		RANGE			
	P D	Plug-in DIN rail	TC	Delay on operate	A B	SPDT DPDT	U24 724 024 110 230 400	24 VAC/DC 24 VDC 24 VAC 110..125 VAC 220..240 VAC 380..415 VAC	3S 15S 30S 1M 2M 3M 5M	0,03..3 S 0,15..15 S 0,3..30 S 0,6..60 S 1,2..120 S 1,8..180 S 3..300 S	10M 15M 30M 1H 2H 3H	6..600 S 0,15..15 M 0,3..30 M 0,6..60 M 1,2..120 M 1,8..180 M

To compose the reference, select one option of each column. Example: **PTCA 400 30S**



		PTCA	PTCB	DTCA	DTCB	
Output relays						
	Resistive load	AC	10 A / 250 V	8 A / 250 V	10 A / 250 V	8 A / 250 V
		DC	0,4 A / 200 V	0,25 A / 200 V	0,4 A / 200 V	0,25 A / 200 V
	Inductive load	AC	10 A / 24 V	8 A / 24 V	10 A / 24 V	8 A / 24 V
		DC	5 A / 250 V	2,5 A / 250 V	5 A / 250 V	2,5 A / 250 V
			5 A / 24 V	4 A / 24 V	5 A / 24 V	4 A / 24 V
		Mechanical life	> 30 x 10 ⁶ operations		> 30 x 10 ⁶ operations	
		Max. switching rate, mech.	72.000 operations / hour		72.000 operations / hour	
		Electrical life at full load	360 operations / hour		360 operations / hour	
		Contact material	AgNi 90/10		AgNi 90/10	
		Maximum voltage	440 VAC		440 VAC	
		Operating voltage	250 VAC		250 VAC	
	Volt. between changeovers	2500 VAC		2500 VAC		
	Voltage between contacts	1000 VAC		1000 VAC		
	Voltage coil/contact	5000 VAC		5000 VAC		
	Distance coil/contact	10 mm		10 mm		
	Isolation resistance	> 10 ⁴ MΩ		> 10 ⁴ MΩ		

Supply	PTCA / PTCB		DTCA / DTCB	
	AC		DC	
	Galvanic isolation		No	
	Consumption		1,6 VA	
	Frequency		50/60 Hz	
	Operating margins		± 15%	
	Positive		-	
	Protected polarity		-	
			Terminal 2	
			Terminal A1	
			Yes	
			Terminal 2	
			Terminal A1	
			Yes	
			Terminal 2	
			Terminal A1	
			Yes	

Constructive and environmental data	PTCA / PTCB	DTCA / DTCB	
	Voltage phase-neutral	300 V	300 V
	Overvoltage category	III	III
	Rated impulse voltage	4 kV	4 kV
	Pollution degree	2	2
	Protection	IP 20 B	IP 20
	Approximate weight	250 g	270 g
	Storage temperature	-50°C..+85°C	-50°C..+85°C
	Operating temperature	-20°C..+50°C	-20°C..+50°C
	Humidity	30..85% HR	30..85% HR
	Housing	Cycloley - Light grey	Cycloley - Light grey
	Socket	Lexan - Light grey	-
	Leds cover	Lexan - Transparent	Lexan - Transparent
	Button, terminal block, clip	Technyl - Dark blue	Technyl - Dark blue
	Pins of the socket	Nickled brass	-
Pins of the terminal block	-	Brass	
Approvals	Designed and manufactured under EEC standards. Electromagnetic compatibility , directives 89/366/EEC and 92/31/EEC. Electric safety, directive 73/23/EEC. Plastics: UL 91 V0		

Dimensions	PTCA / PTCB		DTCA / DTCB	

Rev. 02/00 - 14/11/11 - DISIBEINT reserves the right to modify the specifications stated in this document without previous notice