

PTIA / PTIB DTIA / DTIB

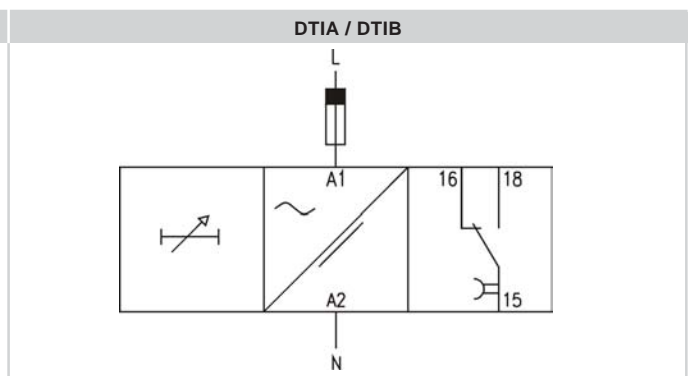
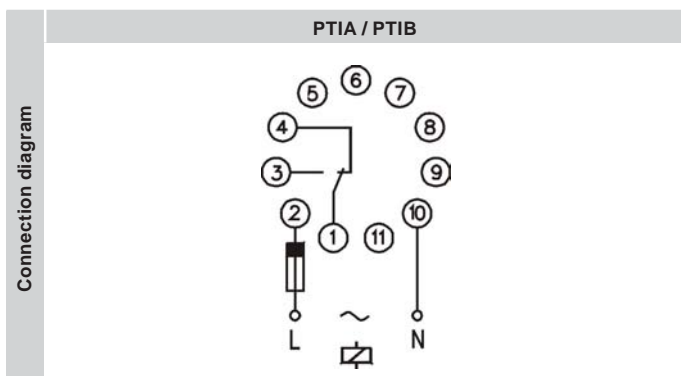
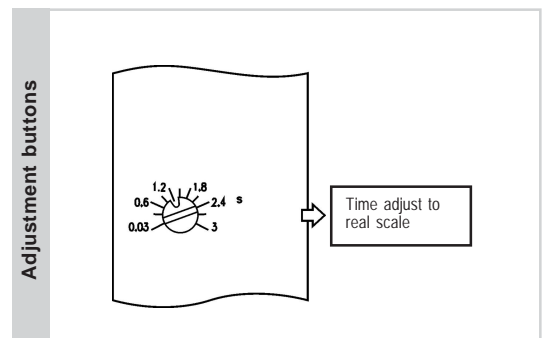
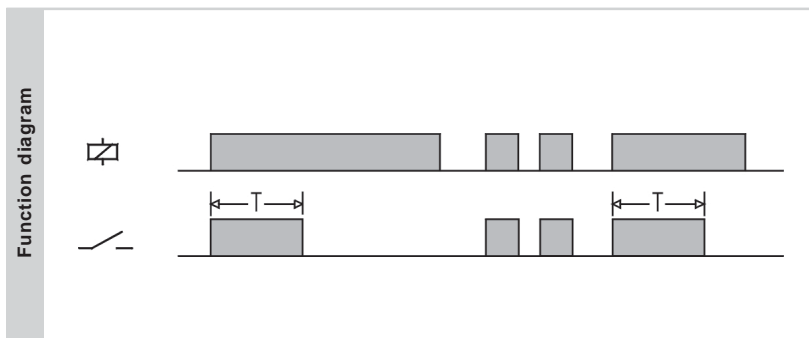


INTERVAL ON OPERATE TIMER

Function	Interval on operate
Difference	Monofunction - Monorange - Monovoltage
Operating principle	When the supply voltage is connected, the relay operates immediately. After the pre-set time, the relay releases and remains so for an indefinite period of time.
Leds indication	Power on: Green Relay on: Red
Repeating precision	± 2%
Precision	± 2%
Reset	By disconnecting the supply for longer than 50 ms.

Reference	HOUSING		FUNCTION		OUTPUT		SUPPLY		RANGE												
	P	D	T	I	A	B	U	V	3S	15S	30S	1M	2M	3M	5M	10M	15M	30M	1H	2H	3H
	Plug-in	DIN rail	Delay on operate		SPDT	DPDT	24 VAC/DC	24 VDC	0,3..3 S	1,5..15 S	3..30 S	0,6..60 S	1,2..120 S	1,8..180 S	3..300 S	6..600 S	0,15..15 M	0,3..30 M	0,6..60 M	1,2..120 M	1,8..180 M
							24 VAC	110..125 VAC													
							220..240 VAC	380..415 VAC													

To compose the reference, select one option of each column. Example: **PTIA 724 15S**



		PTIA	PTIB	DTIA	DTIB	
Output relays						
	Resistive load	AC	10 A / 250 V	8 A / 250 V	10 A / 250 V	8 A / 250 V
		DC	0,4 A / 200 V 10 A / 24 V	0,25 A / 200 V 8 A / 24 V	0,4 A / 200 V 10 A / 24 V	0,25 A / 200 V 8 A / 24 V
	Inductive load	AC	5 A / 250 V	2,5 A / 250 V	5 A / 250 V	2,5 A / 250 V
		DC	5 A / 24 V	4 A / 24 V	5 A / 24 V	4 A / 24 V
	Mechanical life		> 30 x 10 ⁶ operations		> 30 x 10 ⁶ operations	
	Max. switching rate, mech.		72.000 operations / hour		72.000 operations / hour	
	Electrical life at full load		360 operations / hour		360 operations / hour	
	Contact material		AgNi 90/10		AgNi 90/10	
	Maximum voltage		440 VAC		440 VAC	
	Operating voltage		250 VAC		250 VAC	
	Volt. between changeovers		2500 VAC		2500 VAC	
Voltage between contacts		1000 VAC		1000 VAC		
Voltage coil/contact		5000 VAC		5000 VAC		
Distance coil/contact		10 mm		10 mm		
Isolation resistance		> 10 ⁴ MΩ		> 10 ⁴ MΩ		

Supply	AC		DC		ACDC	
	PTIA / PTIB	DTIA / DTIB	PTIA / PTIB	DTIA / DTIB	PTIA / PTIB	DTIA / DTIB
Galvanic isolation	No		No		9XX: Yes	UXX: No
Consumption	1,6 VA		1,7 W		1,6 W	1,7 W
Frequency	50/60 Hz		-		-	
Operating margins	± 15%		± 10%		-	
Positive	-		Terminal 2	Terminal A1	Terminal 2	Terminal A1
Protected polarity	-		Yes		Yes	

Constructive and environmental data	PTIA / PTIB	DTIA / DTIB	
	Voltage phase-neutral	300 V	300 V
	Overtoltage category	III	III
	Rated impulse voltage	4 kV	4 kV
	Pollution degree	2	2
	Protection	IP 20	IP 20
	Approximate weight	280 g	250 g
	Storage temperature	-50°C..+85°C	-50°C..+85°C
	Operating temperature	-20°C..+50°C	-20°C..+50°C
	Humidity	30..85% HR	30..85% HR
	Housing	Cycloley - Light grey	Cycloley - Light grey
	Socket	-	-
	Leds cover	Lexan - Transparent	Lexan - Transparent
	Button, terminal block, clip	Technyl - Dark blue	Technyl - Dark blue
	Pins of the socket	Nickel-plated brass	-
Pins of the terminal block	-	Brass	
Approvals	Designed and manufactured under EEC standards. Electromagnetic compatibility , directives 89/366/EEC and 92/31/EEC. Electric safety, directive 73/23/EEC. Plastics: UL 91 V0		

Dimensions	PTIA / PTIB	DTIA / DTIB

Rev. 02/00 - 14/11/11 - DISIBEINT reserves the right to modify the specifications stated in this document without previous notice